

MC 250

Magnetic Contact in Small Format, Recessed mounting, NC



Technical data

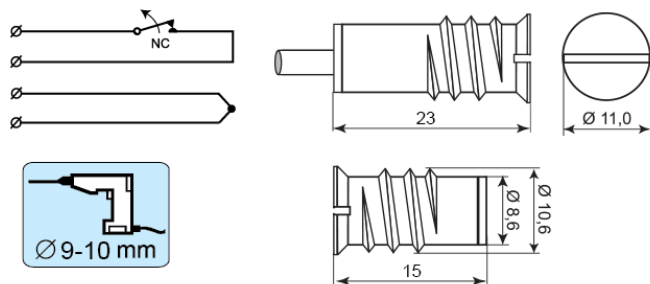
Installation method	Recessed mounting
Contact function	Normally Closed (NC)
Approvals	EN 50131-2-6 Grade 2, Class IIIA, VdS G 193514 Class B, INCERT B-582-0013, SBSC 9-199, Class 2, FG
Contact rating	48 VDC / 500 mA / 5 VA
Drill diameter mm	9-10
Magnet type	Neodymium (NdFeB)
Mounting on steel	Only with accessories
Make distance (wood) mm	19
Make distance (steel) mm	X
Tamper protection	Yes
Connection	Cable
Housing material	Metal
Operating temperature range	-40°C - +70°C
Housing protection class	IP 67
Contact dimensions (L x Ø) mm	23 x 11
Magnet dimensions (L x Ø) mm	15 x 11
Grade	2



MC 250 is a universal magnetic contact in small format with NC function that can be used in both alarm and access control systems for monitoring e.g. doors and windows against unauthorized opening.

Both the contact and the magnet part are made of Al-alloy and formed in the shape of a threaded screw, which enables easy installation into wood or plastic.


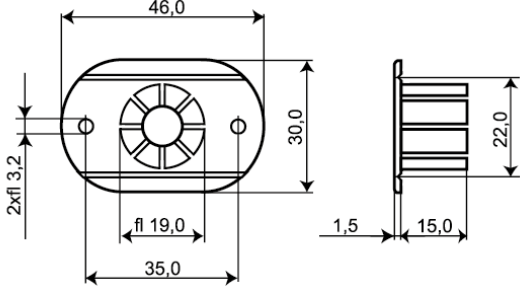
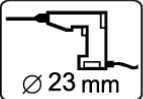

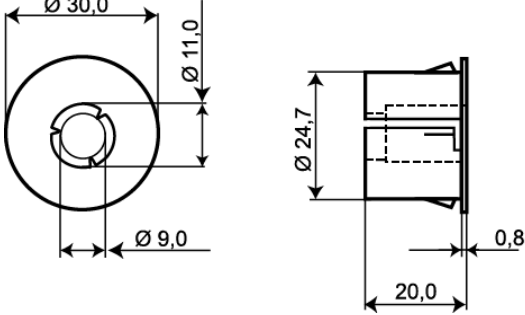
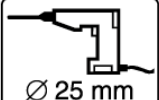

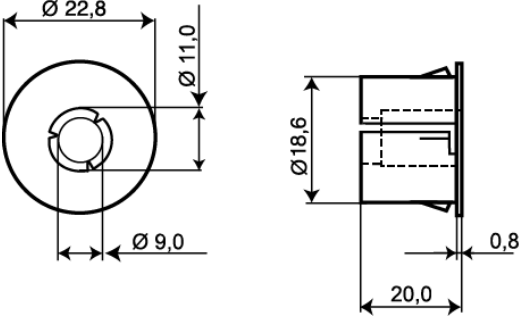
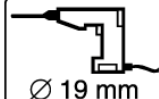
With our extensive range of installation accessories it is easy to install the contact in different kinds of doors and windows.



ORDERING INFORMATION

Model	Description
MC 250	Recessed magnetic contact, NC, 2 m cable
MC 250-6	Recessed magnetic contact, NC, 6 m cable
MC 250-10	Recessed magnetic contact, NC, 10 m cable
MC 250-P1K	Recessed magnetic contact, NC, 1K in parallel, 2 m cable
MC 250-P2,2K	Recessed magnetic contact, NC, 2,2K in parallel, 2 m cable

Related products and accessories

	<p>MC 200-S11</p> <p>Plastic Flange for MC 240, 246, 247, 250, 255, 270, 272, 275</p>		 <p>Ø 23 mm</p>
	<p>MC 200-S21</p> <p>Plastic Snap-in Flange for MC 240, 246, 247, 250, 255, 270, 272, 275</p>		 <p>Ø 25 mm</p>
	<p>MC 200-S31</p> <p>Plastic Snap-in Flange for MC 240, 246, 247, 250, 255, 270, 272, 275</p>		 <p>Ø 19 mm</p>